

## Pneumatech Pride

ConservAIR Intermediate Control® (I/C) flow control devices control the demand side of a compressed air system, eliminating air pressure fluctuations due to changing manufacturing demands. The result of using a ConservAIR I/C is reduced waste from leaks, constant air for production at an optimal pressure, and energy savings.



# S-30 to S-600

Benefits	
Adjusts to system changes instantaneously due to the multi-parallel design	Eliminates compressed air related work stoppages and production interruptions
Allows compressors to accelerate and catch up	Enhances the compressor network performance
Holds system pressure to +/- 1 psig throughout system	Maximizes profits from productivity gains
Maximizes the advantage of the available part load performance efficiency	Stabilizes the compressed air system
Prevents unacceptable pressure degradation when an operating compressor fails	Ensures the reliability of air supply
Eliminates air related complaints	Allows you to bank and trade carbon credits

# Technical data

**pneumatech**

Pure air . Pure gas

Model Number	Max Flow SCFM	Connection Size	Approx. Dimensions L x W x H (in.)	Approx. Shipping Weight (lbs)
S-30	150	1" NPT (F)	12 x 9 x 15	60
S-60	250	1" NPT (F)	12 x 10 x 15	70
S-100	500	1.5" NPT (F)	12 x 10 x 15	80
S-150	750	2" NPT (F)	19 x 11 x 24	110
S-200	1000	3" NPT (F)	19 x 11 x 24	120
S-300	1500	3" NPT (F)	19 x 13 x 24	130
S-600	3000	4" FLG	34 x 14 x 29	250

**Max. Inlet Pressure:** 200 PSI

**Max Outlet Pressure:** 195 PSI

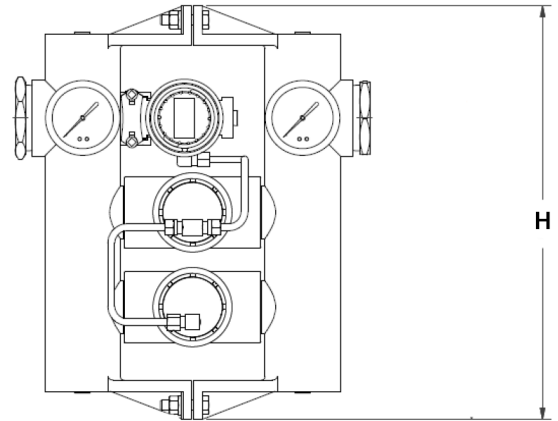
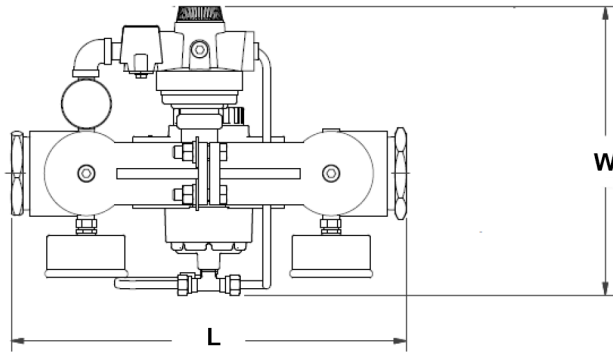
Inlet pressure must be 5 PSI or higher than outlet pressure.  
For higher pressure requirements, consult factory.

**Options:**

3-way Manual Bypass

Remote Pneumatic Control

Flanged Inlet and Outlet



Pneumatech reserves the right to change or revise specifications and product design in connection with any features of our products. Such changes do not entitle the buyer to corresponding changes, improvements, additions or replacements for equipment previously sold or shipped.

© 2014 Pneumatech. All rights reserved.



Use of this Motor Challenge logo does not imply DOE endorsement.

**Pneumatech**  
1800 Overview Drive  
Rock Hill, SC 29730 USA  
1-800-336-2285  
[www.pneumatech.com](http://www.pneumatech.com)

